



Flat F, F/11, Phase 2,
Kwun Tong Industrial Centre,
460-470 Kwun Tong Rd.
Kwun Tong, Hong Kong

Ms. Patricia DELABOST
ZI de la Roseraie – 80500
MONTDIDIER
France

2nd Oct 2019

Dear Ms. DELABOST:


The following outlines the agreement between Canopus Electronics (H.K.) Limited (Canopus) and JBG-METAFIX (JBG-METAFIX) with regards to confidentiality of information and solicitation of customers.

Any documentation provided by JBG-METAFIX is to remain confidential information. Canopus will not share any documentation with anyone outside of the company, unless permission is received from JBG-METAFIX. Canopus will not make use of the documentation for any purpose under any circumstances other than to provide products and services exclusively to JBG-METAFIX or JBG-METAFIX's approved agent(s).

Once JBG-METAFIX provides customer information to Canopus, Canopus acknowledges that the customer is a customer of JBG-METAFIX. Canopus will not sell that customer directly, through its affiliates or through another company, unless approval is received from JBG-METAFIX. If Canopus has written records indicating that a customer has contacted or had business dealing with Canopus prior to the agreement with JBG-METAFIX, Canopus will make JBG-METAFIX aware of this customer and the customer will be exempted from this agreement.

This agreement is valid for 3 years and will be informed to renew half a year before expiration.

The signature by authorized person of JBG-METAFIX and Canopus below acknowledge agreement to the above stated agreement.

Woody


Woody Tsai
Sales Manager
Canopus Electronics (H.K.) Limited

Patricia DELABOST
JBG-METAFIX

Address: Flat F, F/11, Phase 2, Kwun Tong Industrial Centre, 460-470 Kwun Tong Rd. Hong Kong
TEL. No.: (852) 2806 2812 **FAX No.:** (852) 2562 2216
E-mail: sales@canopus.com.hk <http://www.canopus.com.hk>

CANOPUS



Company Profile

Prepared by: Woody Tsai
Date: 3rd Jan 2020
<http://www.canopus.com.hk>

Canopus Electronics (H.K.) Limited

CANOPUS

A Dedicated Manufacturer



- Hong Kong based, established in 1999
- All range of acoustics components
- Magnetic, Piezo Buzzers and Transducers, Speaker, Receiver, Condenser Microphone and Ultrasonic Sensor.
- Strong R&D team works in leading position in diverse market
- Engineered Electromechanical Solution
- RoHS & REACH compliance.



Canopus Electronics (H.K.) Limited

Applications



- **Security, Clock & Pager**
- **Automotive, Computer parts**
- **Card Reader, Billing machine**
- **Cord, Cordless Phone & Cell phone**
- **Digital Camera, PDA, MP3 Player, Notebook**
- **Medical equipment, Office & Household appliances**
- **Satellite receiver box, Modem**
- **Smoke & Burglar Alarm, UPS**
- **Toys, Timer & Watch, Joypad**
- **Printer and Fax machine**

Our Superiority

1. ISO9001 & ISO14000 & QS9000 certified company
2. Over 3000 standard and thousands of tailor-made models
3. Strong R&D team to investigate the most up-to-date technology
4. Quality control dominant, excellent process engineer supporting
5. Bruel& Kjaer lab system
6. Well-trained professional servicing team
7. Extremely low defective rate for SMD type product
8. Sufficient stock level
9. Distributor protection
10. Strong supply chain management



Factory Location



Location	Certified	Workers	Areas(M ²)
1. Guangzhou	ISO9001 QS9000	350	6,400
2. Jiangsu	ISO9001 ISO14001 TS16949	250	8,000
3. Shandong	ISO9001	100	5,000

Monthly Capacity

Products : Unit(pcs)



Magnetic Transducer : 5,000,000

Magnetic Buzzer : 1,000,000

Piezoelectric Transducer : 4,000,000

Piezoelectric Buzzer : 500,000

Mechanical Buzzer : 150,000

SMD Type buzzer & transducer : 5,000,000

Receiver : 3,000,000

Condenser Microphone : 5,000,000

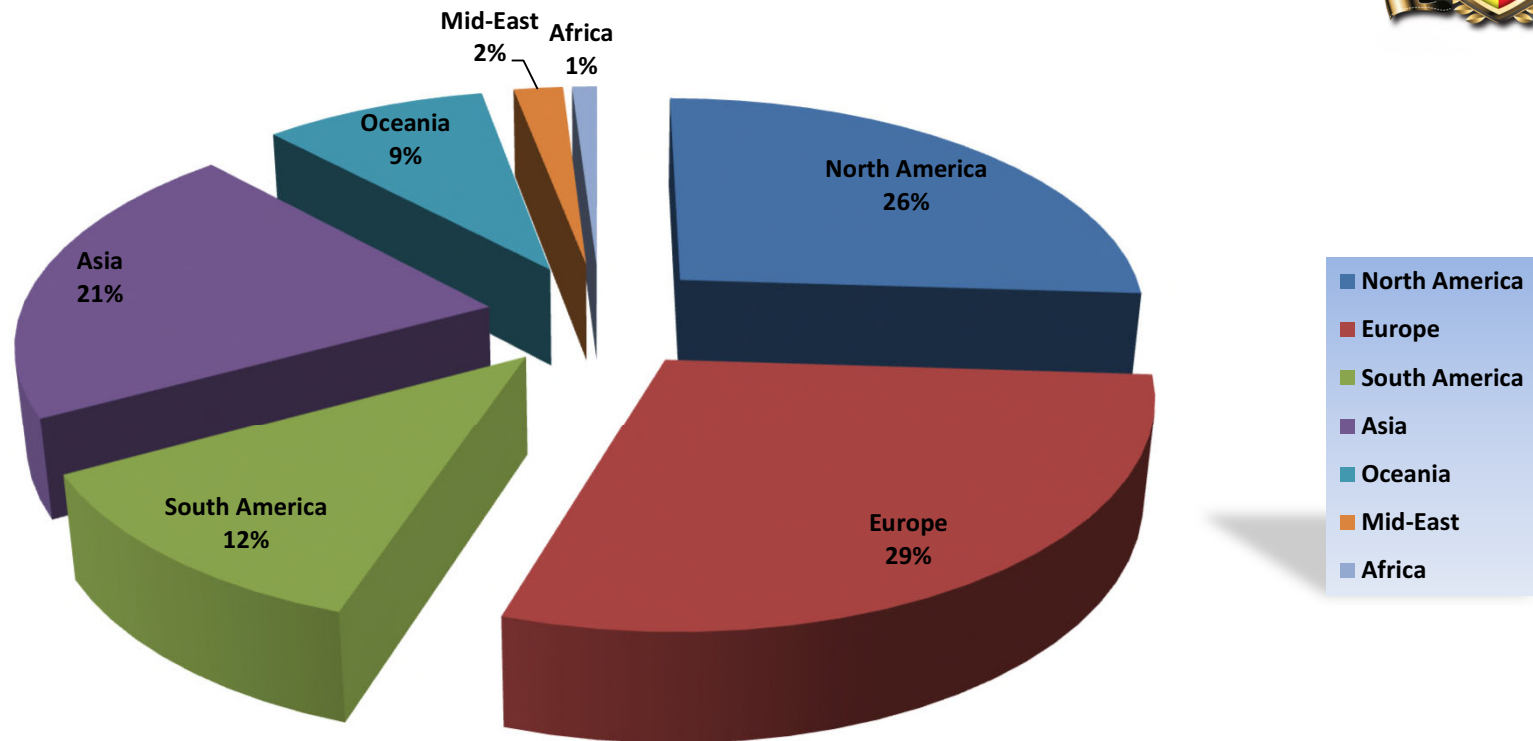
Speaker : 3,000,000

Ultra-sonic products : 100,000

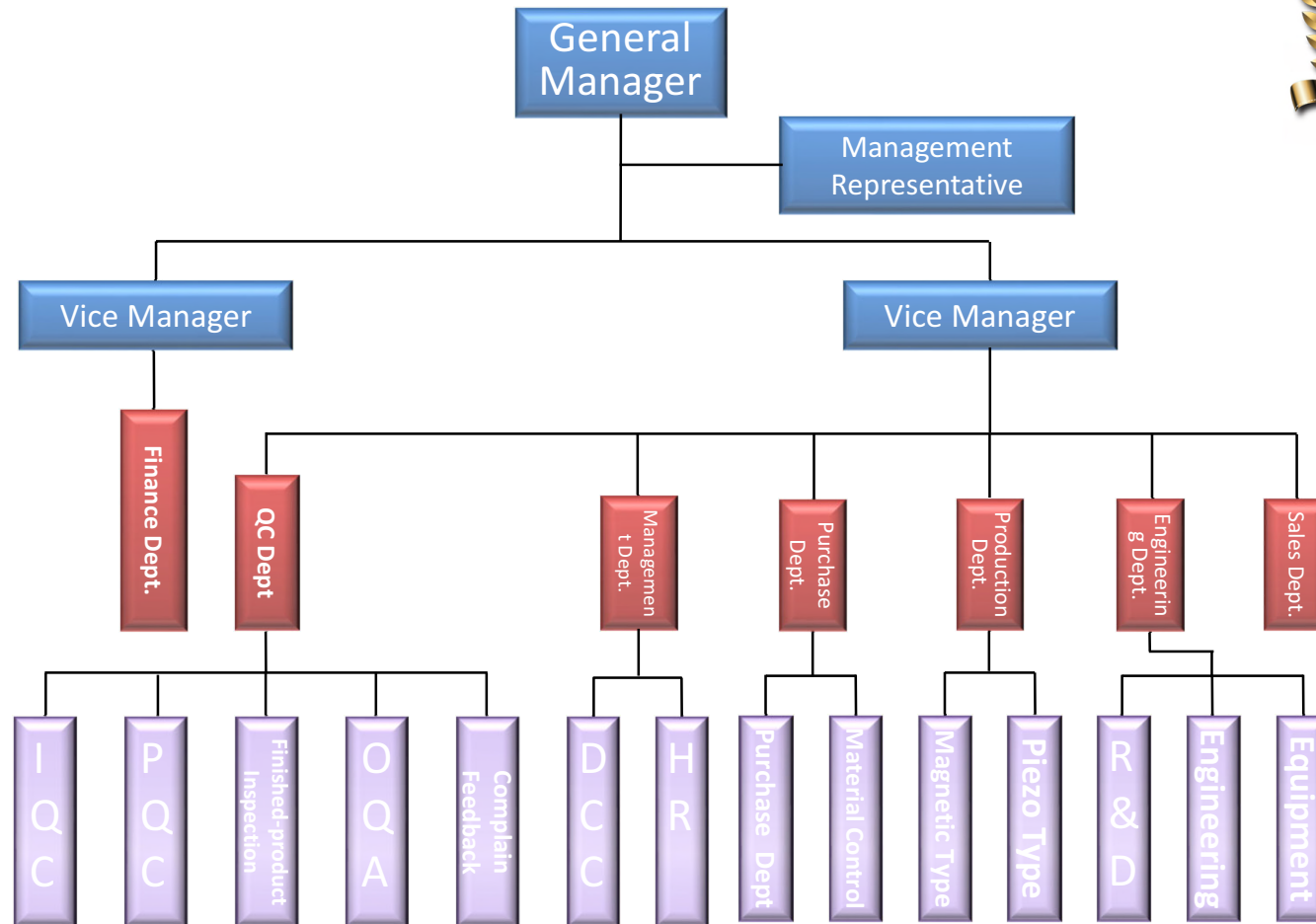
Sales Distribution



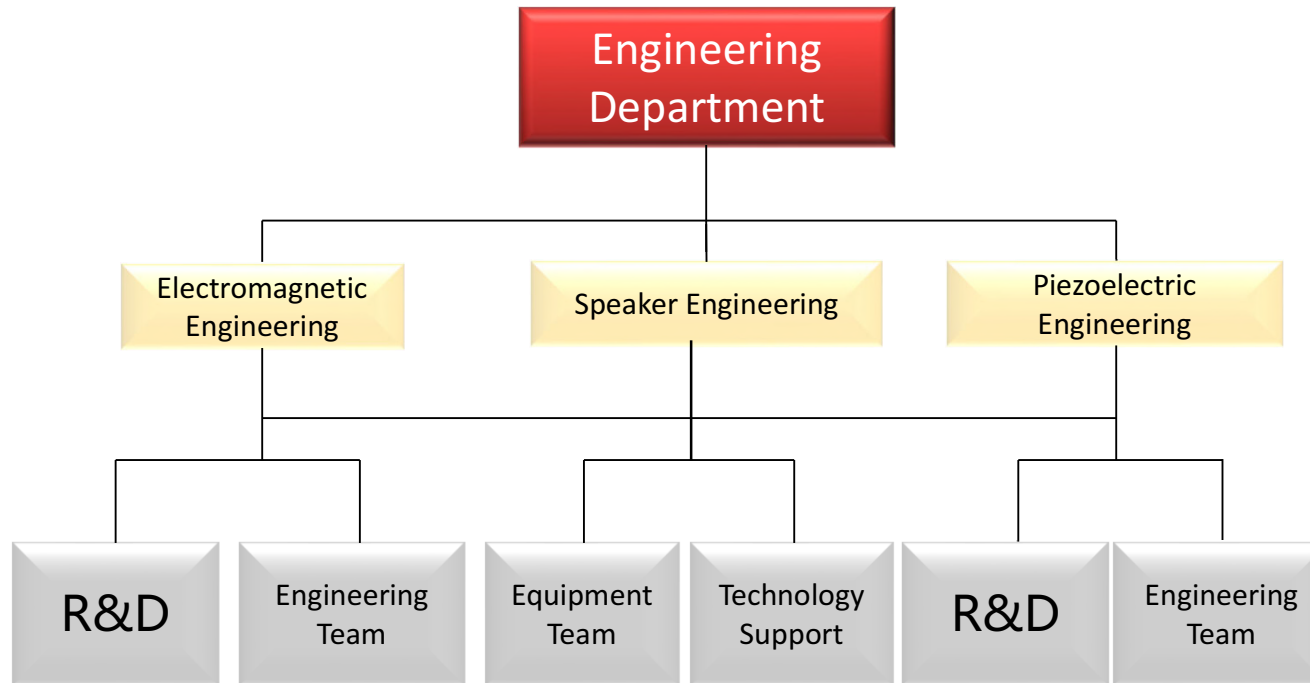
Market Distribution



Organization Chart

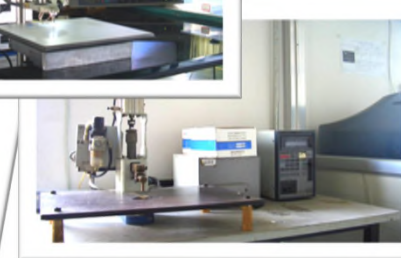


Engineering Department

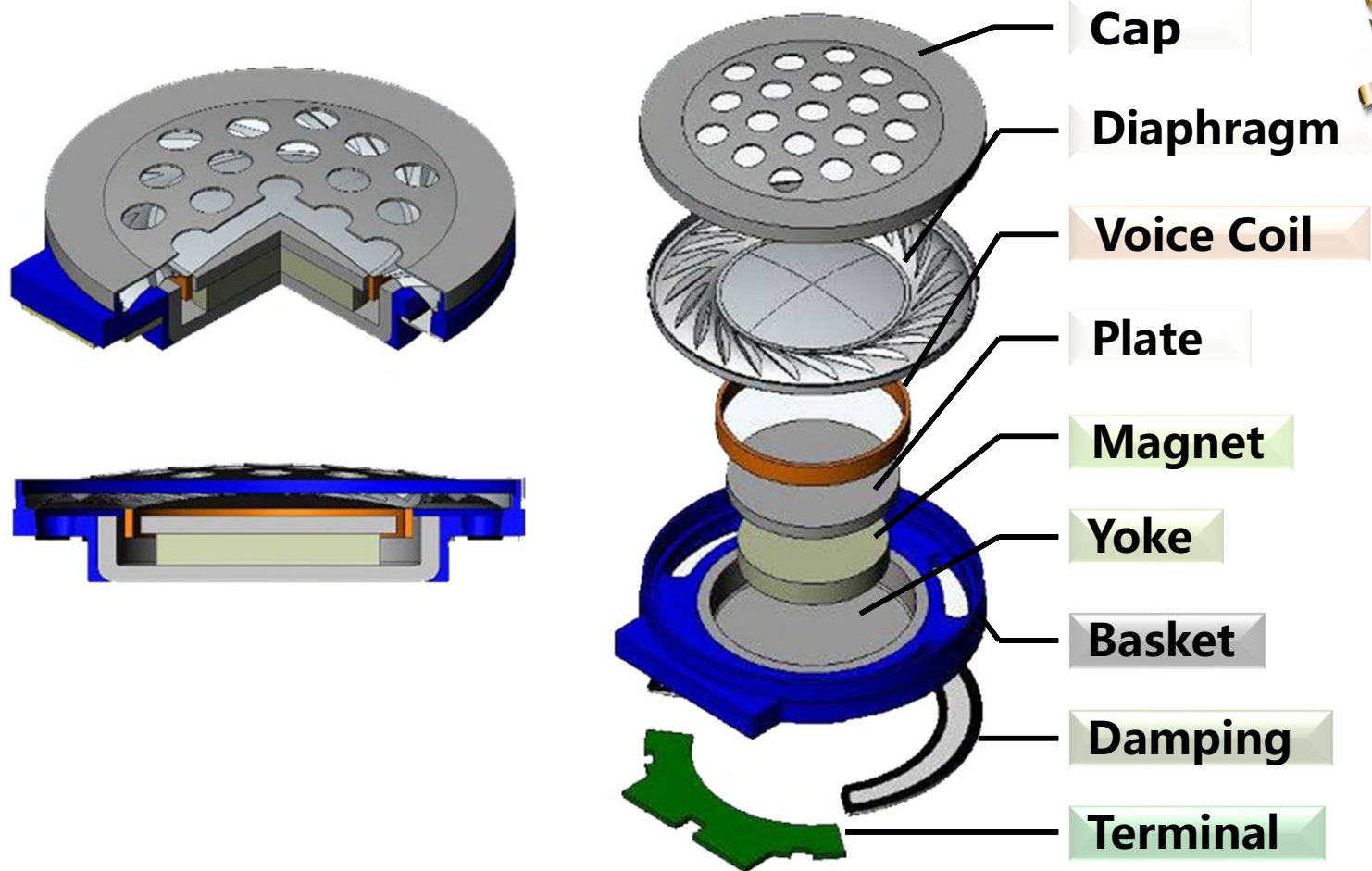


Factory Equipment

NO	Equipment Name	Brand/type	Qty.	Original	Function
1	3D automatic glue machine	QUZCK8200	10	CHINA	Manufacturing
2	High-temperature oven	101A-4	3	CHINA	Manufacturing
3	Searing-iron automatic applying	QUZCK969	20	CHINA	Manufacturing
4	Transfer printing machine	SP814C	6	CHINA	Manufacturing
5	Electrical point welder	EDB-2001	6	CHINA	Manufacturing
6	Temperature-control searing-iron	QUZCK939	50	CHINA	Manufacturing
7	Automatic winder	DHCTJ	25	CHINA	Manufacturing
8	Ultrasonic welding machine	LJ-24064	1	CHINA	Manufacturing
9	Soldering machine	TYCO	2	CHINA	Manufacturing
10	Production line	Self-making	6	CHINA	Manufacturing
11	SMD packing machine	AND-TM200	2	CHINA	Manufacturing
12	Function signal generator	DF1641D	22	CHINA	Test
13	Micrometer	0-25MM	5	CHINA	Test
14	LCR Digital electrical bridge	TH2812	3	CHINA	Test
15	Frequency scan generator	YE1311	5	CHINA	Test
16	Analysis instrument	167	15	CHINA	Test
17	Resistance test instrument	ZHONGCE	3	CHINA	Test
18	Frequency sweep generator	7116C	1	CHINA	Test
19	Digital calipers	0-150MM	16	CHINA	Test
20	Oscillograph	DF4241A	2	CHINA	Test
21	Sound meter	ND-10	23	CHINA	Test
22	DC digital power-supply	ZHONGCE	20	CHINA	Test
23	Automatic sweep generator	TONGHUI5990	2	CHINA	Test
24	FO test instrument	JIAHONG1231	2	CHINA	Test



Technical Library I - Speaker Structure



CANOPUS

Electronics Sample Kit



- **Display 22 types of traditional and SMD type of VDC and VAC buzzer**
- **1 SMD Speaker 15x15**
- **4 different tones output available**



Canopus Electronics (H.K.) Limited